

# TANDEM AXLE JEEP

MODEL: LPJ-40T-2



## TRAILER FEATURES



### SINGLE DROP PROFILE

Designed with a low 5<sup>th</sup> wheel height to maintain a low center of gravity.



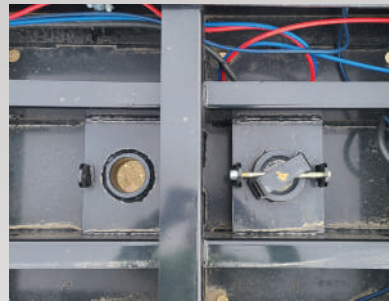
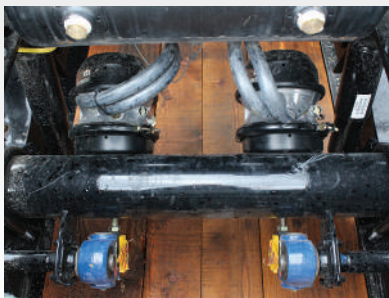
### SLIDING FIFTH WHEEL

Multiple positions over a 72" slide range allows for flexibility in accommodating weight equalization.



### SUSPENSION

Standard equipped with Hendrickson HT300 and 25,000 lb axles.



### DUAL KING PIN SETTING

Equipped with (2) king pin positions for use with Tandem & Tridrive trucks.



### REAR SKID RAMPS

The rear tail frame is designed for use with all types of lowbed trailers.



### ALUMINUM FENDERS

Aluminum checker fenders on gooseneck provide protection for the trailer and the cargo loaded on the trailer.

# SPECIFICATIONS

<b>MODEL</b>	LPJ-40T-2
<b>LENGTH</b>	26'3"
<b>WIDTH</b>	8'6"
<b>KING PIN</b>	14" & 27" Setting
<b>KING PIN HEIGHT</b>	51"
<b>LANDING GEAR</b>	(2) speed crank landing legs - crank located on street side
<b>FIFTH WHEEL</b>	78" Slide Range & Dual Pin Lock Assembly
<b>SUSPENSION</b>	(2) 30,000 lb. air ride suspension at 50" axle spacing Dump Valve & Weigh Gauge Mounted on Side Rail
<b>AXLES</b>	(2) 25,000 lb. axles at 77" track (8'6" wide over tires) Type 30/30 Air Chambers & Stemco Auto Slack Adjusters
<b>HUBS &amp; DRUMS</b>	10 Stud Piloted Parallel Hubs & Cast Drums c/w Long Studs
<b>WHEELS</b>	Aluminum 10 Stud Pilot-Mount 8.25" x 22.5 Disc Wheels
<b>TIRES</b>	275/70-22.5 Low Profile Radial Tires

<b>ELECTRICAL SYSTEM</b>	All Air & Electrical Is CMVSS Approved Air Scale & Manual Dump Valve in Enclosed Box LED Lamps & Integrated Wiring System (4) LED Round Tail/Turn/Stop Lights in Rear Frame ¾" Amber Bullet Lights on Front Corner Fender Brackets
--------------------------	--

<b>FENDERS</b>	Aluminum Checker Plate Fenders on Goose-neck Side Rail
----------------	--

<b>MUDFLAPS</b>	(2) 24" x 24" Black Rubber Mounted on Gooseneck & at Rear
-----------------	---

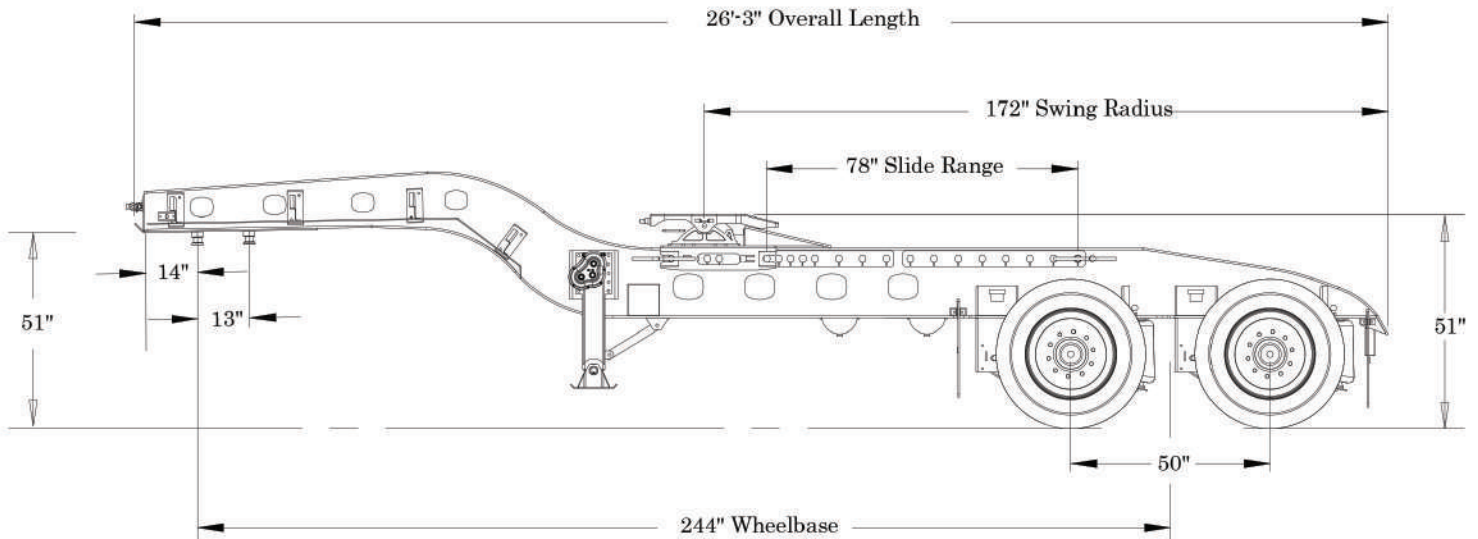
<b>FINISH</b>	Sandblasted, Epoxy Primer & PPG Urethane Paint- Black Document Holder Installed on Frame Side Rail
---------------	---

<b>SAFETY TAPE</b>	Applied as per regulations
--------------------	----------------------------

<b>WARRANTY</b>	1 <sup>st</sup> year - 100% parts & labour 2 <sup>nd</sup> year - 50% parts & labour 3 <sup>rd</sup> to 5th year - 50% parts only
-----------------	---

## OPTIONS

- Available in different frame profiles and lengths
- Tridrive tractor compatible and tridem suspension
- Rear liveroll
- Telescopic adjustable swing up dolly legs
- Air-Weigh on-board scale system
- Lightweight wheels, hubs, and drums



Product improvement is an ongoing process. The manufacturer reserves the right to change any specifications or components on any or all products without prior notice and is under no obligation to undertake modifications to units manufactured to prior changes in specifications.