

## DECKING

1 5/16" fir ship lap & linseed oil treated.

## CENTER BRIDGE

Aluminum walking deck with left & right side steps for easy access.

## LOAD SECUREMENT

(39) 3-bar winches and J-hooks line the outside frame of the lead & pup and have all tested to meet current load securement regulations.

## LIGHTS

High visibility 4" LED lamps on rear Stop/Turn/Tail/Strobe & ID lights so the trailer is seen in all weather conditions.



## TWO-SPEED LANDING GEAR

This trailer is equipped with Holland Mark V two-speed landing gear, which has a static load rating of 120,000 lbs.

## FRAME

100,000 psi high tensile steel is used for the flange and the webb, making this a strong trailer with a long service life.

## LOAD SENSING AXLE LIFT SYSTEMS

Tuff-Lift load sensing lift assemblies on the 1st, 2nd, and 4th axles adjust tire contact based on load weight, cutting fuel costs, extending tire life, and reducing maintenance expenses.

## FULL MUDFLAP PACKAGE

This trailer comes standard equipped with 3 mudflaps ahead of the landing gear on the lead & pup, with 2 mudflaps ahead and behind axle groups.

## ALUMINUM TOOLBOXES

Two 24"x30"x60" toolboxes on lead trailer and two on the pup. The toolboxes utilize a no-fuss locking system that won't freeze up in the winter.

**View our full trailer product line**

Photos, specs, and more can be found on our website [hayworthequipment.com](http://hayworthequipment.com)



**The right truck and trailer steering your business in the right direction.**

At Hayworth Equipment Sales, we believe that our success depends on yours. We are committed to providing you with experienced advice and personalized services that make your equipment run smoother as well as your business.

**A trailer is not just a trailer, see the difference with Hayworth.**



**CALL US:**

**1-877-962-9110**



**VISIT OUR WEBSITE**

**[hayworthequipment.com](http://hayworthequipment.com)**



**26180 - 114 AVENUE  
ACHESON, AB T7X 6R1**



# SPECIFICATIONS

<b>2024 MODEL</b>	Lead: 323FDL-S & Pup: 282FDP-S
<b>LENGTH</b>	Overall combined length: 63'6" Lead: 32'0" & Pup: 28'0"
<b>WIDTH</b>	8'6"
<b>DECK HEIGHT</b>	Lead: 60" at front Pup: 51" at rear
<b>COUPLER</b>	2" Holland king pin
<b>KING PIN PLATE</b>	5/16" @ 49" height on lead trailer
<b>KING PIN SETTING</b>	Lead: 30", Pup: 18"
<b>SWING CLEARANCE</b>	88"
<b>MAIN BEAMS</b>	Flange: 3/8" x 5" top & bottom 100kpsi Webb: 3/16" 80kpsi
<b>CROSSMEMBERS</b>	High tensile 4" Jr. I-beam @ 16" o.c.
<b>SIDE RAIL</b>	4" x 3" high tensile rectangular tube 1/4" bar near top to protect safety tape from load strap damage
<b>FIFTH WHEEL</b>	Holland fixed mount on bridge of lead
<b>STAKE POCKETS</b>	Pocket in side rail set to flush @ 24" o.c. (4) Pockets in front & rear of lead and pup set flush
<b>LOAD SECUREMENT</b>	(39) 3-Bar winches & J hooks opposite onside rails, rope hooks at 24" o.c. on sides & (4) across front & rear
<b>STORAGE</b>	(4) Iconic 24" x 30" x 60" aluminum tool boxes (2) on lead and (2) on pup
<b>DECKING</b>	1 5/16" ship lap fir throughout
<b>LANDING GEAR</b>	Holland Mark V two speed crank down 120,000lb capacity
<b>REAR BUMPER</b>	Pup: 4" x 4" tube style DOT approved
<b>FENDERS</b>	Poly 180° tub style fenders over lead axles
<b>AXLES</b>	(5) 25,000 lb. @ 77" track

<b>AXLE SPREAD</b>	Lead: 60" & Pup: 49"
<b>SUSPENSION</b>	(5) Dexter Smart-AXL 25,000lb airride Tuff-Lift load sensing on 1st, 2nd & 4th axles
<b>BRAKE CHAMBERS</b>	Bendix 30/30 parking brakes
<b>AIR BRAKE SYSTEM</b>	Wabco 4S/2M ABS on lead
<b>SLACK ADJUSTERS</b>	Meritor automatic self adjusting
<b>CAMSHAFTS</b>	28 spline c/w enclosed tubes
<b>HUB &amp; DRUMS</b>	10 stud hub piloted, long stud & outboard cast drums
<b>TIRES</b>	(20) Aeolus HN808 - 11R-22.5 radial
<b>WHEELS</b>	(20) Alcoa aluminum 10 stud pilot mount 8.25 x 22.5 - polished
<b>ELECTRICAL SYSTEM</b>	Grote Ultra Blue integrated wiring system Seven pin female plug @ front of each trailer (2) pair of aluminum pullout lights on lead & pup trailer
<b>FINISHING</b>	Sandblasted, epoxy primer & Genesis polyurethane paint
<b>SAFETY TAPE</b>	Applied as per CMVSS regulations
<b>WARRANTY</b>	1 <sup>st</sup> year - 100% parts & labour 2 <sup>nd</sup> year - 50% parts & labour 3 <sup>rd</sup> to 5 <sup>th</sup> year - 50% parts only

**\$119,900**

**PRICE**  
\*Quote valid for 14 days, All taxes extra.

~~**\$129,500\***~~

**Monthly payments as low as \$2000**

Thank you for your interest in our product and we look forward to providing you with the best value transportation equipment available.

Sincerely,  
Hayworth Equipment Sales Inc.

Sales Representative

 **CALL US:**  
**1-877-962-9110**

 **26180 - 114 AVENUE**  
**ACHESON, AB T7X 6R1**

 **VISIT OUR WEBSITE**  
**hayworthequipment.com**

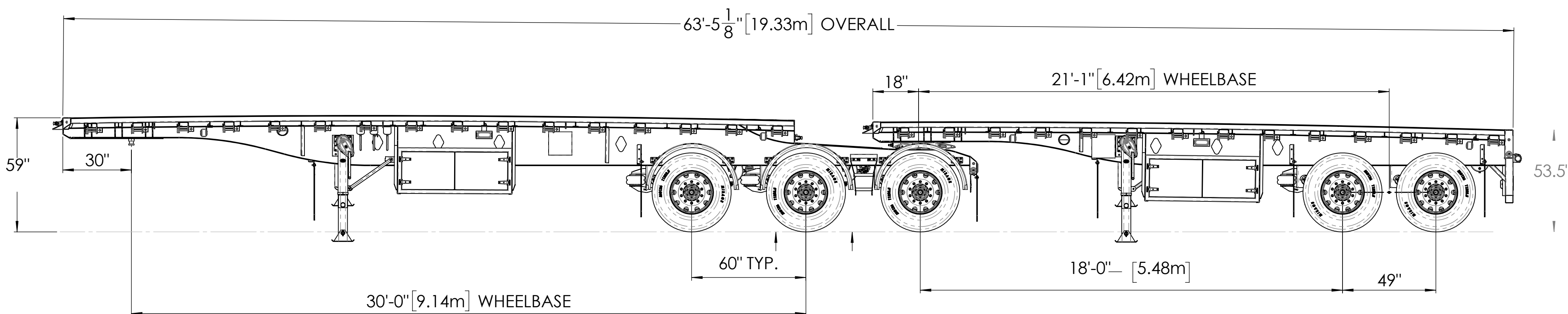
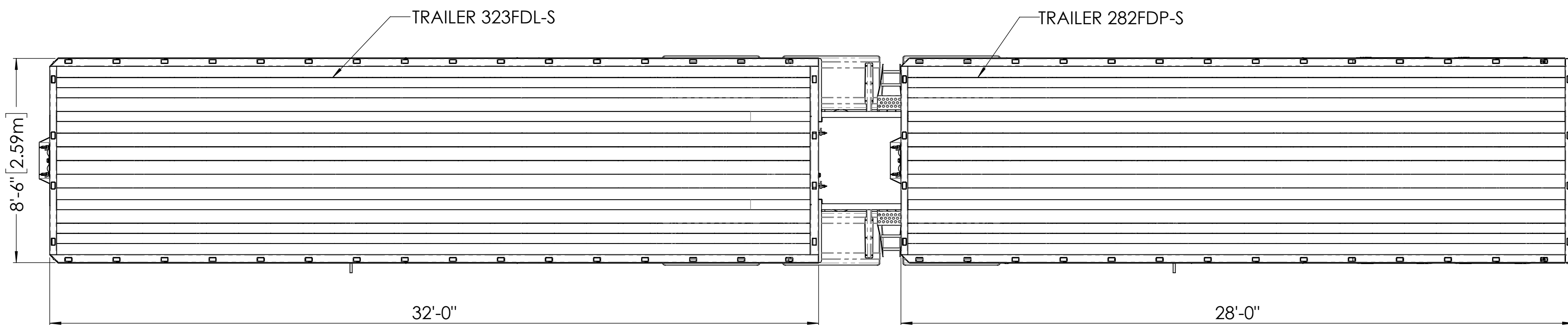
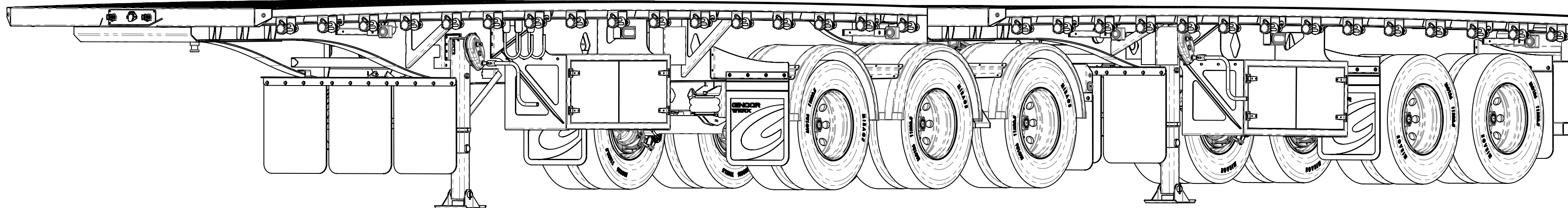
**Hayworth**  
EQUIPMENT SALES

4

3

2

1



4

3

2

1