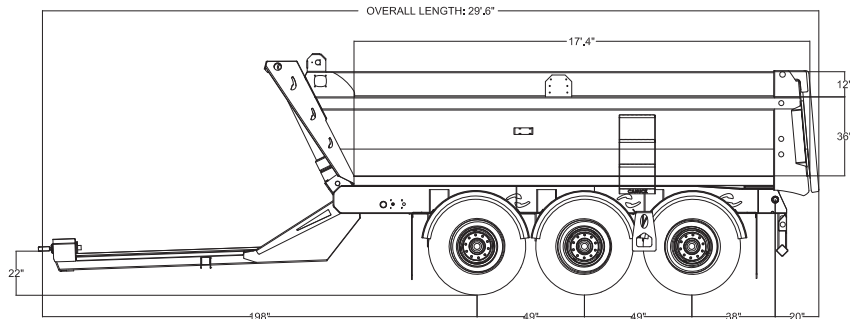
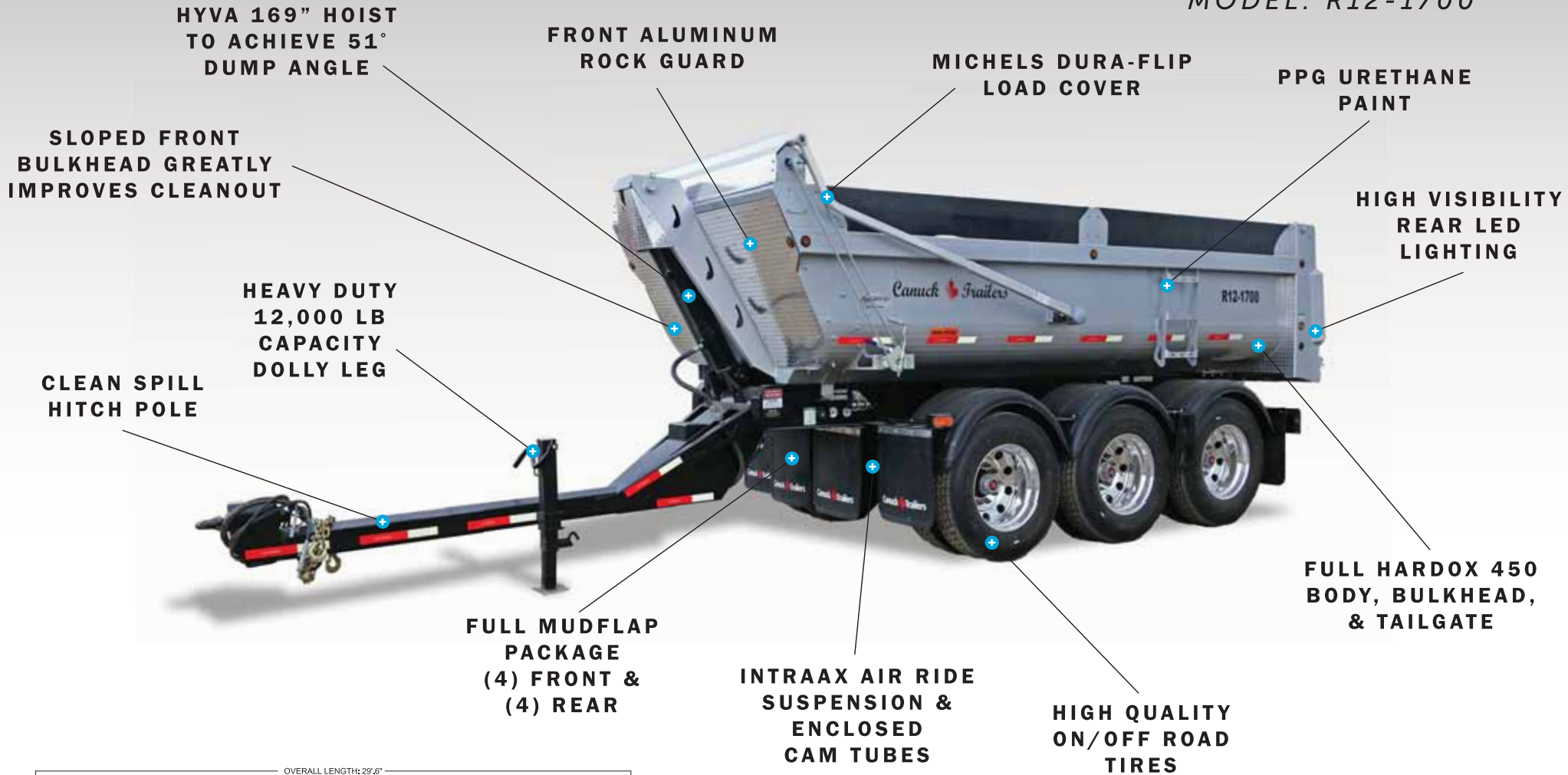


TRIDEM PONY PUP

MODEL: R12-1700



ABOUT CANUCK TRAILERS

We've been a dealer for Canuck Trailers since 2003, when we started working with them to build a lineup of dump trailers meant for the rough and tough terrain of Western Canada. The team behind Canuck Trailers stands by their trailers and provides one of the best 5-year structural guarantees in the industry,

STANDARD FEATURES

- The QT-100,100,000 psi high tensile frame enhances stability
- Clean spill draw bar hitch
- Engineered flared end I beam crossmembers
- Radius style Hardox 450 dump body construction
- Hendrickson Intraax 25,000 lb. air ride suspension & axles
- Hyva FEE 8-4-169 external mounted hoist with slope bulkhead to minimize material hang up
- Michels Dura-flip load cover
- Standard equipped with LED lights
- PPG urethane paint
- 5 year limited warranty



OPTIONS

- **TUFF LIFT** axle lift system
- Aluminum wheels, hubs and Centrifuse drums
- Electric driven load cover
- Sealed tailgate and hazard safety locks
- Load slide control electric box vibrators
- Quick-Slide one piece UHMW plastic box liners
- Air Weigh scale system
- High lift tailgate & hinge point
- Holland Mark V (2) speed landing gear
- Many more options available

